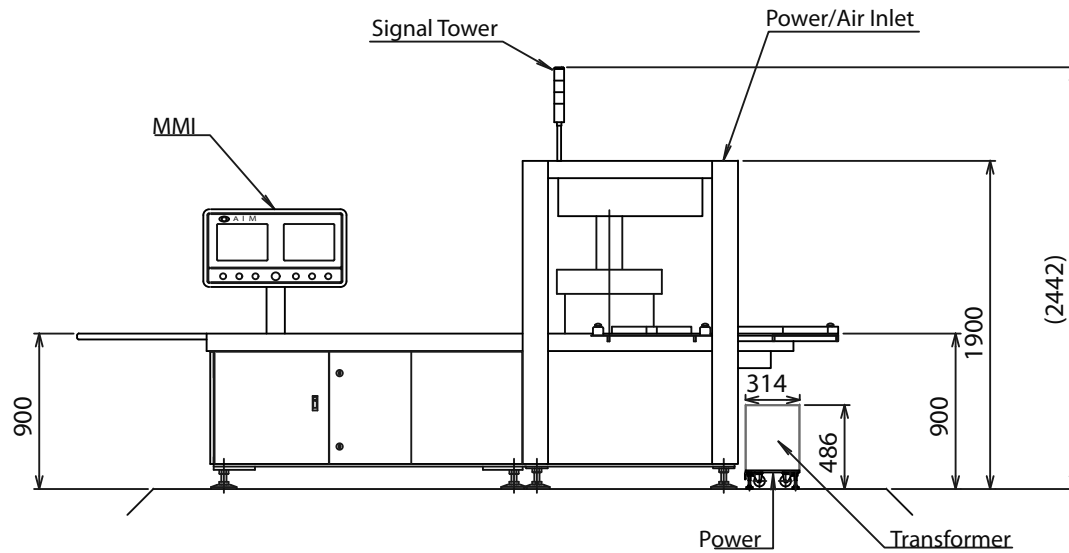


|           |                                 |
|-----------|---------------------------------|
| Type      | CIM 5021/L                      |
| Container | 4mL Vial                        |
| Capacity  | Max. 16,000/H                   |
| Power     | 4kVA                            |
| Air       | 4kg/cm <sup>2</sup> , 400NL/min |
| Weight    | 3,000kg                         |



|   |     |        |
|---|-----|--------|
|  <b>Eisai Co.,Ltd.</b><br>Tokyo, JAPAN | mm  |        |
|   | Shi | S=1/30 |
| <b>D###-KT01-1A-O</b>   |     |        |