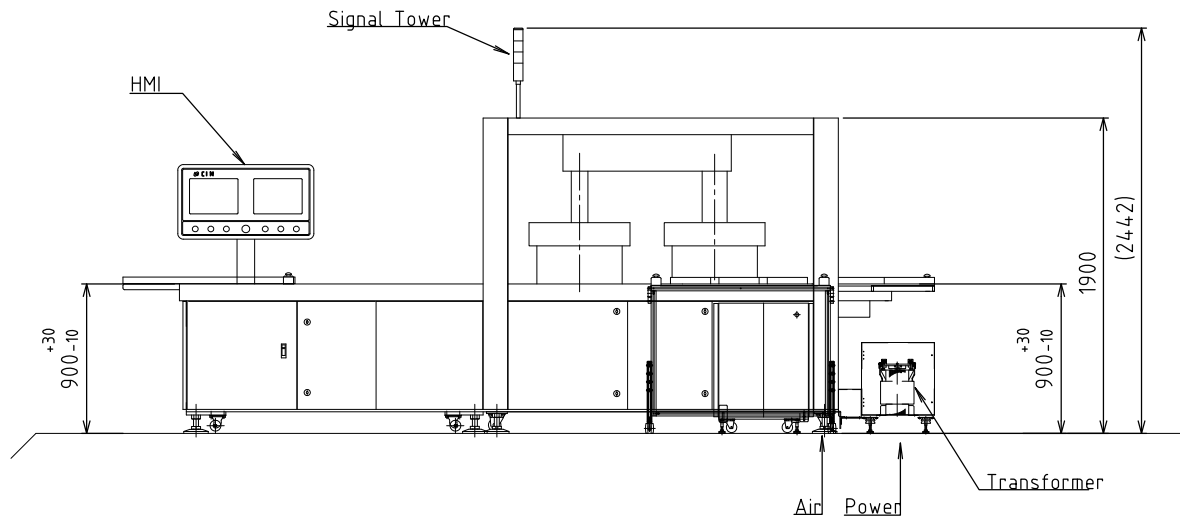


Type	CIM5022
Container	Vial 3ml (powder)
Capacity	13,200/H (Max 15,000/H)
Power	7.5kVA
Air	57psi , 21cfm
Weight	4,000Kg



No.	Inspection Item	Camera
1	Body	C1-1/C1-2
2	Heel	C2-1/C2-2
3	Powder Top (Light Particle)	C3-1/C3-2
4	Crimp Color	C01
5	Powder Top (Dark Particle)	C4-1/C4-2
6	Crimp	C5-1/C5-2
7	Neck	C6-1/C6-2
Number of Camera		13

 Eisai Machinery Tokyo, JAPAN	mm
	D###-KT01-01-0