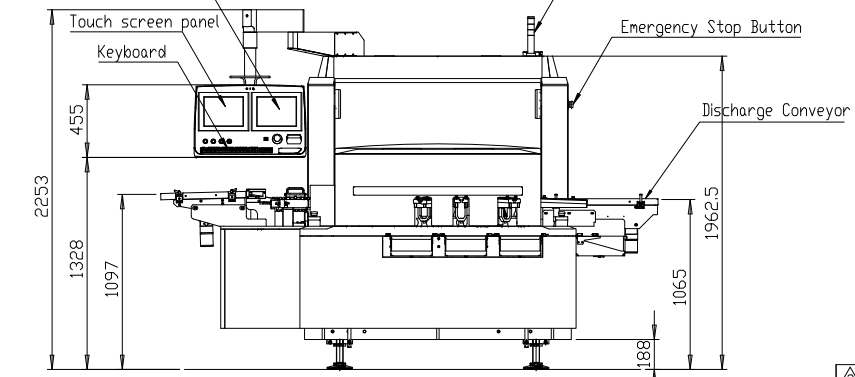
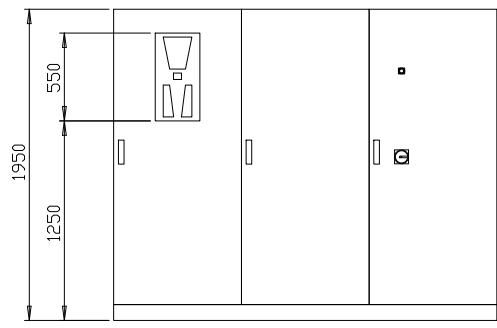


Model	EIS-A206S
Capacity	27000 pcs./h 18000 pcs./h (5ml)
Machine Weight	5500 kg
Control Box Weight	1500 kg

No.	Inspections	Camera pcs
C01	Tip cap presence, Tip cap length	4
C02	Flange crack	4
C03	Stopper presence/color	1
C04	Flange Top	1
C1	Stopper position, stain/leakage	4
C2	Lower body	4
C3	Upper body	4
C4	Fill level, product color	2
SD1	Particle in solution (fiber, hair, white, black, glass, etc)	4
SD2	Particle in solution (fiber, hair, white, black, glass, etc)	4

Utility Requirement			
Air	490-590 kPa	90psi	5~6 kgf/cm ²
Electric	440-480VAC	10kVA	3 phase, 50/60Hz

Camera layouts/positions in this drawing may have to change after design is complete.



Note: This drawing, and the subject matter disclosed therein, embody proprietary information which is the confidential property of Sankyo Seisakusho, none of which shall be copied, reproduced, disclosed to others, published or used in whole or in part, for any purpose, without the express advance written permission of a duly authorized agent of Sankyo. This drawing is subject to recall by Sankyo at any time.

Scale	1:30	DATE	
Designer		Checker	
Drawer		Assent	

Correction	Sign	Date
Model	EIS-A206S	
	Overview Drawing	
Draw.No.	CERTIFIED PRINT	