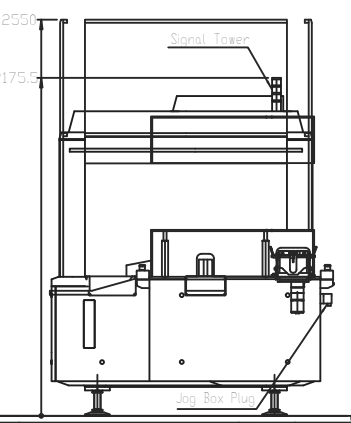


Model	EIS206/S
Capacity	24000 pcs/h
Machine Weight	5000kg
Control Box Weight	1000kg

No.	Inspections	Caners pcs
C01	Bent/missing Tip cap	1
C02	Broken Flange	1
C1	Stopper, Position	2
C2	Flange	2
C3	Barrel, Fill Level	1
SD1	Particle	(3)
SD2	Particle	(3)

Utility Requirement	
Air	490~690 kPa (5~7 kgf/cm <sup>2</sup> ) 90 L/min(Std)
Electric	AC 200~480 V 18kVA 3 phase, 50/60Hz



Correction		Sign	Date
Model	EIS206/S		
Overview Drawing		CERTIFIED	
Draw.No.			

Scale	1:25	DATE	19/01/2007
Designer	N.Suzuki	Checker	T.Kawahara
Drawer	N.Suzuki	Assent	T.Kawahara

**SANKYO**

UNIT:mm