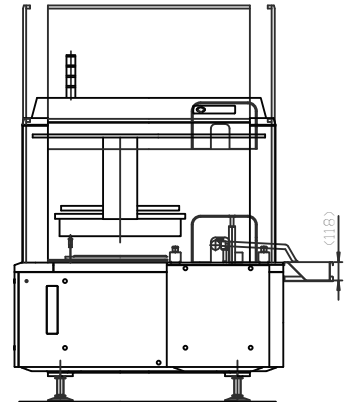


Model	EIS296/S
Capacity	18000 pcs./h
Machine Weight	4500 kg
Control Box Weight	1000 kg

No.	Inspections	Camera pcs
C01	Bent Needle	1
C02	Flange	1
C1	Stopper Stain, Leakage, Position	2
C2	Broken Flange	2
C3	Body Crack, Liquid	1
SD1	Particle in the solution	2
SD2	Particle in the solution	2

Utility Requirement			
Air	490-590 kPa	90psi	5~6 kgf/cm²
Electric	AC 200-480 V	10kVA	3 phase, 50/60Hz



Scale	10F25	Date	Oct. 7, 2013
Designer	Draftsman	Checker	Assent
	H. Taniyama	T. Kawahara	T. Kawahara

Correction		Sign	Date
Model		EIS296/S	
Overview Drawing		CERTIFIED PRINT	
Draw.No.			

**SANKYO**

Unit:mm